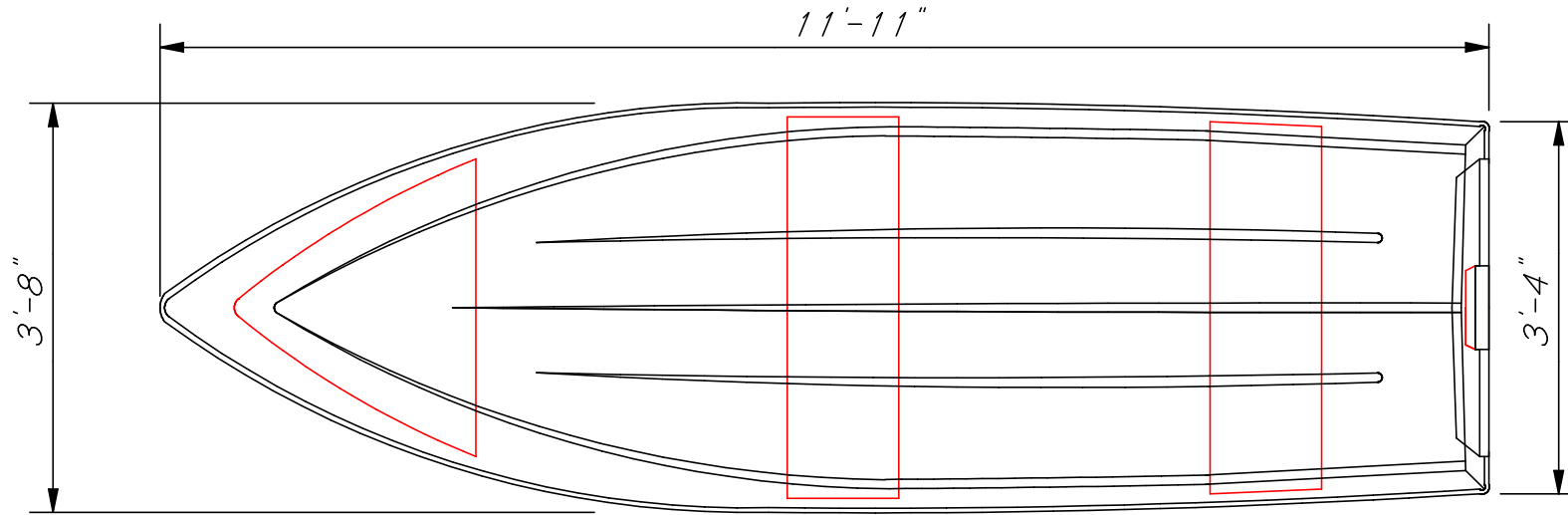
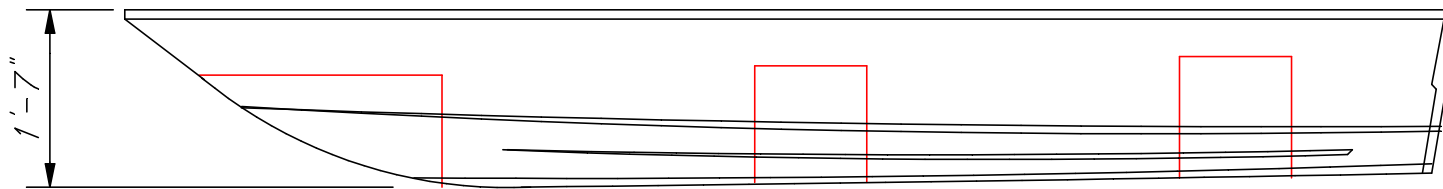


EXPLORER GT-TOPPER



MAIN PLAN VIEW



INBOARD PROFILE

BUILDER:
 EXPLORER COMPOSITE SDN. BHD.
 1320-C, KLEBANG BESAR,
 75000 MELAKA, MALAYSIA.
 TEL: 06-3356239
 FAX: 06-3359927
 WEB SITE: www.boatexplorer.com.my

HULL NO:	OWNER:		
DRAWING NO: E776	PROJECT: G.T TOPPER STD		
SHEET NO:	TITLE: GENERAL ARRANGEMENT		
SCALE:	CLASS:		
NTS	DRAWN:	NAME:	DATE:
	FAHME	SL THEIN	05/02/2023
	CHECKED:		05/02/2023
THIS DOCUMENT AND THE INFO IT CONTAINS IS COPYRIGHT AND REMAINS THE PROPERTY OF EXPLORER COMPOSITE SDN. BHD.			